



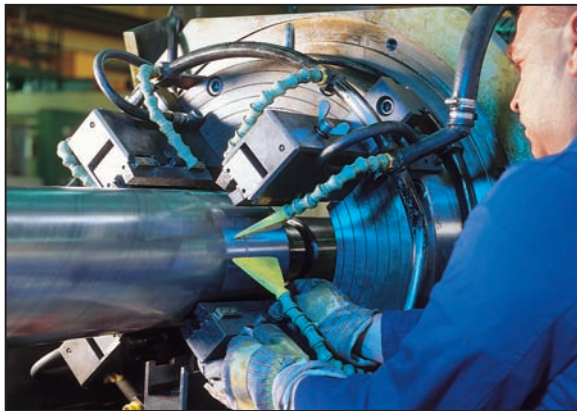
# Leistriz

## **BEST AVAILABLE TECHNOLOGY**

## **SYNCHRONIZED TELESCOPIC CYLINDER**

For nearly a half century, Leistriz has been a world leader in the design, engineering and manufacture of products for the elevator industry. Included in our complete packages are our renowned telescopic cylinders which are meticulously manufactured to exacting standards by skilled German machinists.

- Full static pressure testing for all Leistriz cylinders

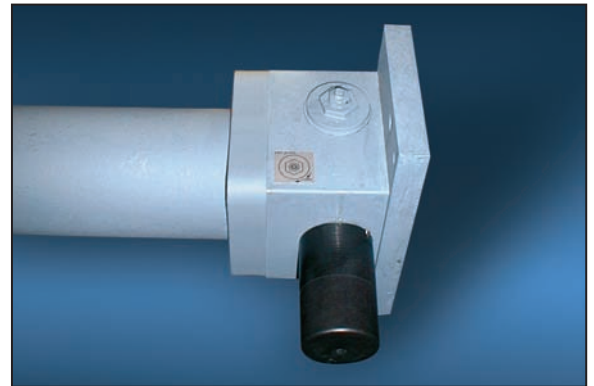
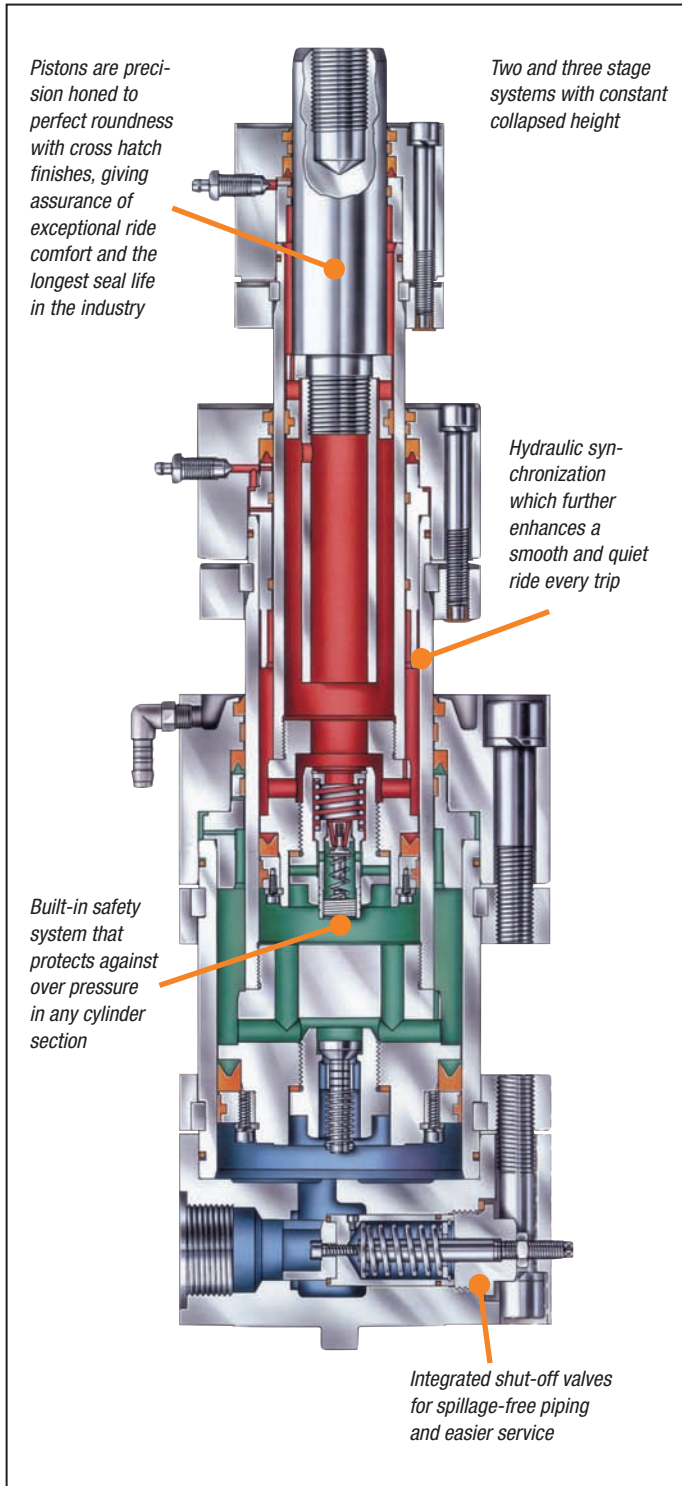


- Precise OD honing process that provides perfect roundness and surface finish for long seal life, and smooth, leak-free operation
- Constant collapsed height for ease of installation to standard pit depth and car frame configurations
- Integrated lifting hooks for safe handling and installation
- Integrated shut off valve in each cylinder base to prevent oil spillage while piping
- Internal safety cushions and safety valves to prevent pressure peaks and seal damage
- Victaulic fittings for ease of piping
- ISO 9001 Certification assuring consistent quality and performance.



**BEST AVAILABLE TECHNOLOGY**

**SYNCHRONIZED TELESCOPIC CYLINDER**



For the ultimate in easy installation, minimal maintenance, and unsurpassed riding comfort, contact Leistriz for product information and specifications.

**Leistriz**

Leistriz Corporation, 165 Chestnut Street, Allendale, NJ 07401  
(201) 934-8262 • Fax: (201) 934-8266 • [www.leistrizcorp.com/elevators](http://www.leistrizcorp.com/elevators)