

Leistritz

Universal Barge Pump for unloading high and low viscosity cargos.



- Unique five-screw, single-flow design for high-capacity unloading.
- Effective stripping of tanks and suction lines.
- Up to 40% more efficient than a centrifugal pump.
- Entire pump lubricated by pumped cargo.
- Hydraulically balanced rotors eliminate upthrust problems.
- Supplied for retrofit or as complete unit.

With the Leistritz Universal Barge Pump, barge operators have more cargo-unloading flexibility than ever before.

Cargo of all viscosities — from kerosene to asphalt — can be unloaded at rates up to 6300 BPH, and then effectively stripped from tanks and suction lines without poppet valves or vent lines.

The Leistritz L5NT pump is a five-rotor, single-flow vertical screw pump specially designed for high-flow operations with minimum power requirements. For example, in pumping asphalt or #6 fuel oil (1500 SSU), efficiency is approximately 40% better than with a centrifugal pump. This results in lower installed engine horsepower, less fuel consumption, and allows the use of smaller heaters for cargo heating.

The L5NT doesn't need separately lubricated bearings or timing gears because the entire pump is lubricated by the pumped cargo. And the

pump rotors are hydraulically balanced to eliminate upthrust problems at low discharge head. A thrust bearing keeps column shaft tension constant to reduce wear on column bearings and prevent shaft whip.

The pump can be supplied as a retrofit unit to replace existing pumping elements; or as a complete unit with discharge head, shaft seal and right angle gear.

The L5NT Universal Barge Pump is a good example of the engineering knowhow that Leistritz has accumulated through solving marine fluid-handling problems during the past 75 years.

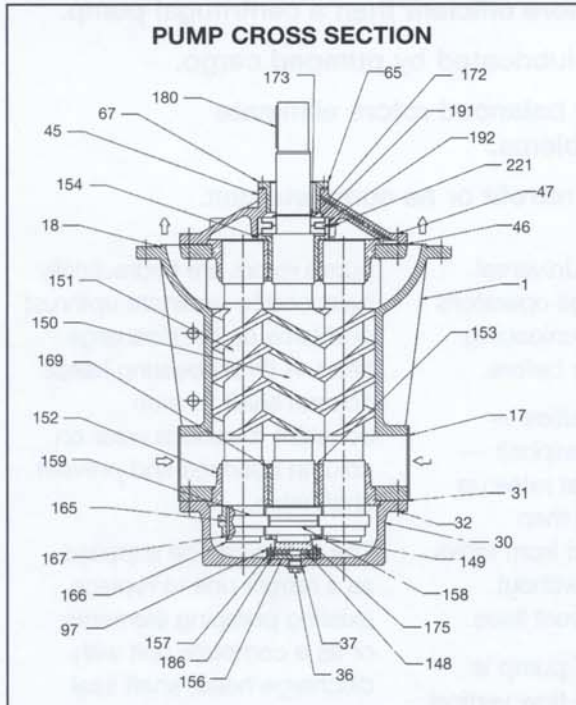
Leistritz also manufactures a complete line of rotary screw pumps for both shipboard and off-shore applications. The line includes two, three and five screw pumps for lube and fuel oil services, hydraulics, sludge handling, and cargo loading and unloading.

L5NT APPLICATIONS

- Crude
- Asphalt
- Bitumens
- Bottoms
- Cutter feed stock
- Residue
- Tar oils
- Vegetable oils
- Fuel oil: #2-#6
- Kerosene
- DFM
- JP4, JP5
- ...and others.

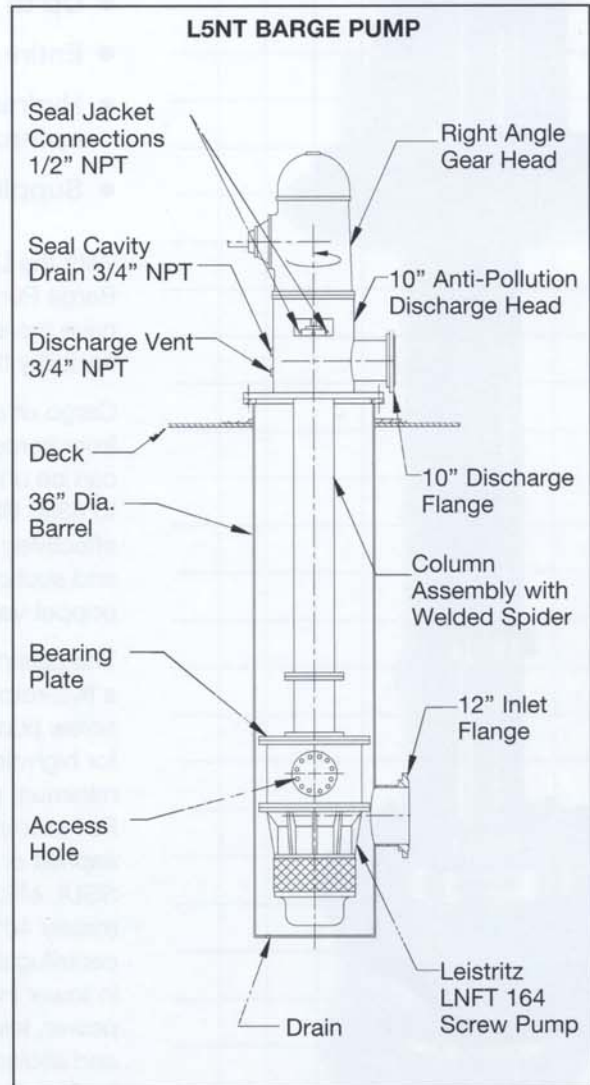
TYPICAL UNLOADING RATES

Size	Capacity	Pump Speed	HP @ 125 PSI
L5NT 186/210	6300 BPH	1800	480
L5NT 164/200	5000 BPH	1800	360
L5NT 125/184	3000 BPH	2000	200



- | | | |
|-------------------------|---------------------------------|---------------------------------|
| 1 Pump casing | 148 Pin | 159 Idler rotor locating collar |
| 17 Inlet screen | 149 Set screw | 165 Key |
| 18 O-ring | 150 Power rotor | 166 Lock nut |
| 30 Non-drive side cover | 151 Idler rotors | 167 Lock washer |
| 31 Gasket | 152 Idler rotor bushings | 169 Pin |
| 32 Mounting screw | 153 Top power rotor bushing | 172 Spacer ring |
| 36 Plug | 154 Bottom power rotor bushing | 173 Snap ring |
| 37 Seal Ring | 156 Thrust plate | 175 Thrust Collar |
| 45 Drive side cover | 157 Thrust plate retainer | 180 Key |
| 46 Gasket | 158 Power rotor locating collar | 186 Mounting screw |
| 47 Mounting screw | | 191 Sleeve ring |
| 65 End cover | | 192 Pressure ring |
| 67 Mounting screw | | 221 Pin |
| 97 Retaining ring | | |

L5NT BARGE PUMP



For more information about our Universal Barge Pump, or for complete descriptions of other Leistriz screw pumps, call us directly, or visit the Leistriz web site at www.leistrizcorp.com/pumps.

Leistriz

Leistriz Corporation, 165 Chestnut Street, Allendale, NJ 07401
(201) 934-8262 • Fax: (201)934-8266 • www.leistrizcorp.com/pumps