



# Leistritz

**Leistritz dry power units are constructed using a vertical screw pump submerged in oil, and a dry motor positioned above the tank. The power drive is direct-type with a flexible coupling. The pump and motor are mounted on a rigid base plate and isolated structure.**

## **Benefits:**

### **Submersible pump:**

- Low pulsation screw pump
- Noise absorbed by oil
- Seal less operation allows higher working pressure

### **Dry motor:**

- Easy access
- Open top drip proof, heat is not discharged into the oil
- Industrial heavy duty
- Noise isolated, quiet operation

### **Flexible drive:**

- Urethane spider provides smooth operation
- Maintenance free, no adjustments or belt tensioning

### **Base plate and structure**

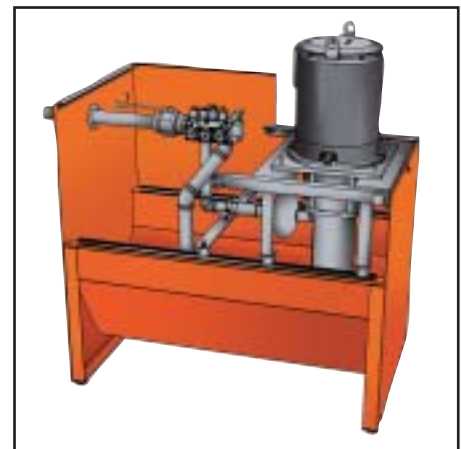
- Ideal alignment between pump and motor centerlines
- Isolation pad mounting reduces vibration and airborne noise

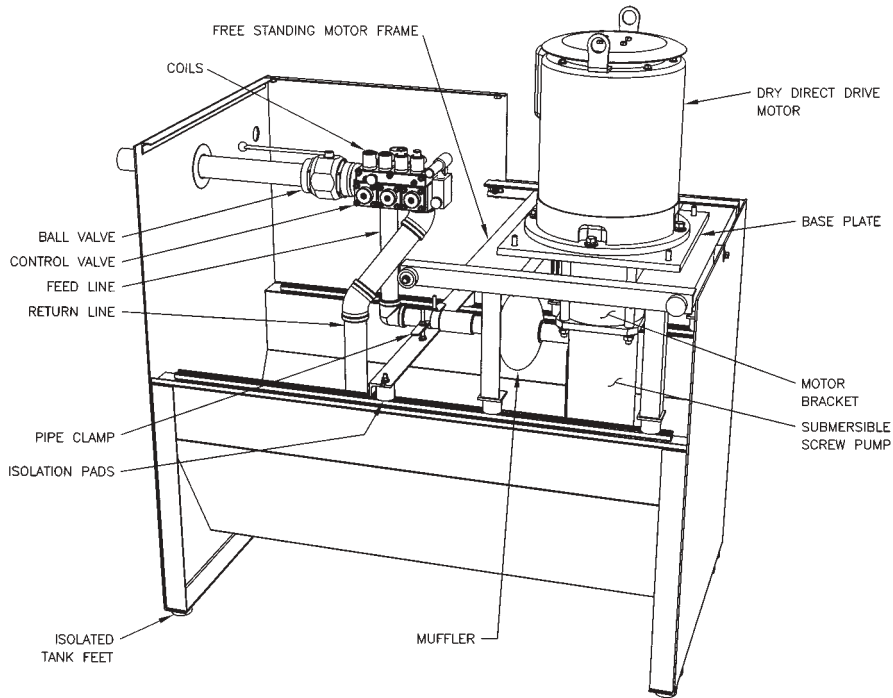
### **Tank**

- Heavy gage sheet metal
- Isolation pad mounting reduces vibration and airborne noise.

### **Application range:**

Oil flow:	up to 280 GPM
Working pressure	up to 750 PSI
Motor power	up to 75 HP
Motor duty	up to 120 starts per hour





### DRY POWER UNIT SELECTION CHART

Dry power unit model	Feed flow	Nom. output motor	Tank model	Total height incl. motor	Power unit weight w/o oil
LTPA	GPM	HP	*	inch	lbs
160/26	55	30	4.1	69	567
200/26	72	30			567
200/30		40			631
260/26	92	30	4.1	69	587
260/30		40			651
330/26	113	30			5.1
330/30		40	794		
330/55		50	854		
440/26	141	30	4.1	69	775
440/30		40			838
440/55		50	5.1	71	898
440/60					60
540/55	175	50	5.1	73	1182
540/60		60			1196
540/70		75			1256
690/55	225	50	5.1	69	1224
690/60		60			1238
690/70		75			1298
800/55	283	50	5.1	69	1224
800/60		60			1238
800/70		75			1298

\*Model 4.1 is 48in (W) x 28in (D)  
Model 5.1 is 60in (W) x 36in (D)

# Leistritz

Leistritz Corporation, 165 Chestnut Street, Allendale, NJ 07401  
(201) 934-8262 • Fax: (201)934-8266 • Email [staff@leistritzcorp.com](mailto:staff@leistritzcorp.com)