



Leistriz

L3NG Three-Screw Pump

Durably constructed...easy to install...and ideally suited for a broad range of applications. Those are the characteristics that set the economical L3NG pump apart from the others.

Use the L3NG for a variety of applications. It delivers flow rates from 1 to 2,943 gpm, and easily accommodates liquids with viscosities up to 1,000 cSt. Its large, unrestricted inlet area provides ample suction lift with low noise and pulsation levels.

Use it almost anywhere. Its compact design can be face mounted or foot mounted in either a horizontal or in free-standing vertical configurations. With ANSI in-line flanges, piping arrangements are simplified making installation easy and economical.

The standard mechanical seal is available in several seal face configurations and also with mag drive. More than a dozen rotor leads and diameters let the L3NG match a broad range of flow requirements.

And use the L3NG for long term, trouble free operation. Its ball bearing is permanently lubricated, and the mechanical seal is positioned in the low pressure area. The hydraulically balanced rotor design eliminates thrust plates, and the full flow integral relief valve eliminates the need for separate valve and piping.

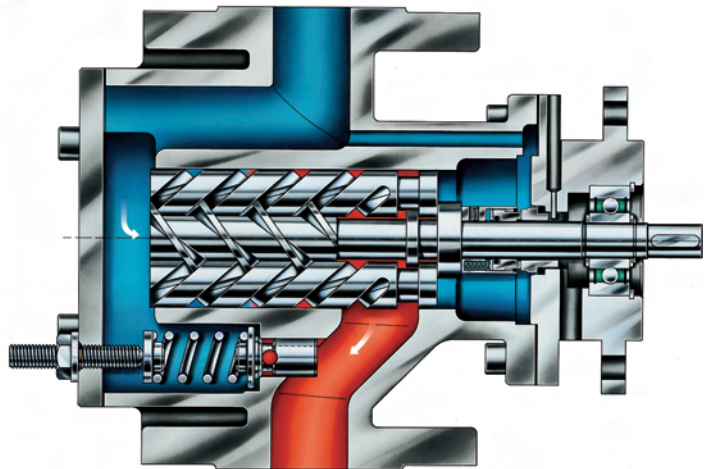
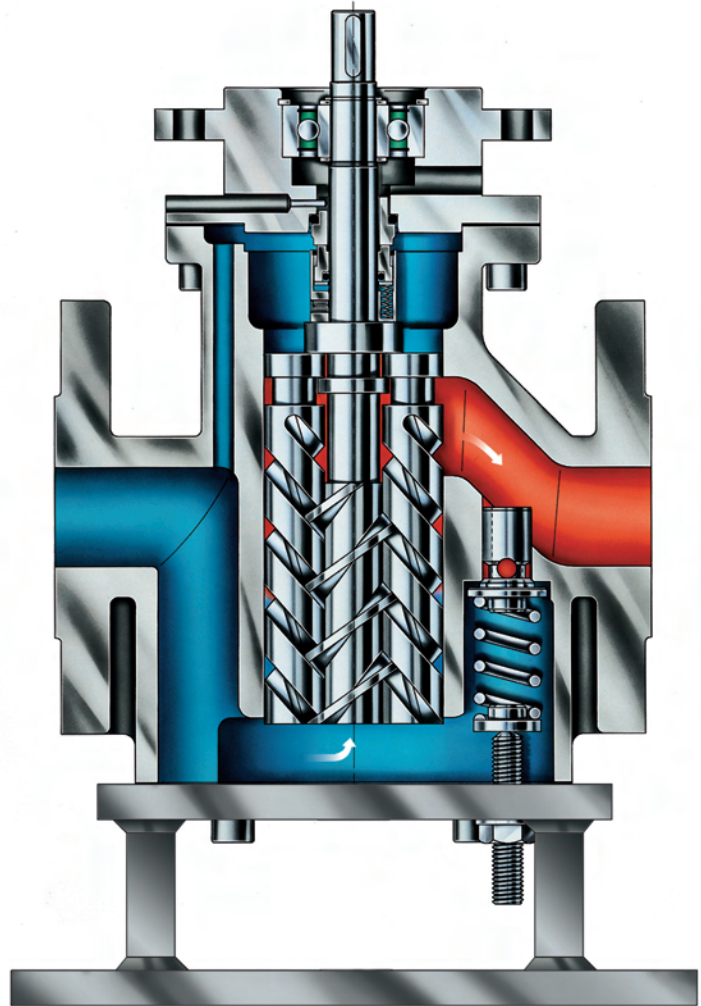


L3NG size 20 to 275 performance data

All performance is at 1750 rpm and 40 cSt (200 SSU)

Size	Pressure PSI	Flow GPM	Power BHP
20/20	50	1.3	0.1
	100	1.2	0.2
	200	1.0	0.3
20/30	50	2.0	0.2
	100	1.8	0.3
	200	1.5	0.4
20/40	50	2.6	0.2
	100	2.3	0.3
	200	1.9	0.5
25/35	50	3.9	0.3
	100	3.6	0.4
	200	3.2	0.7
25/50	50	5.5	0.4
	100	5.1	0.6
	200	4.6	1.0
32/45	50	8.6	0.6
	100	8.2	0.9
	200	7.6	1.4
32/64	50	12.2	0.8
	100	11.6	1.2
	200	10.8	2.1
38/60	50	16.6	1.0
	100	16.0	1.6
	200	15.2	2.7
38/76	50	21.0	1.3
	100	20.3	2.0
	200	19.2	3.4
45/70	50	27.7	1.6
	100	26.9	2.5
	200	25.8	4.3
45/90	50	35.6	2.1
	100	34.6	3.2
	200	33.2	5.5
52/85	50	45.4	2.6
	100	44.5	4.0
	200	43.1	6.9
52/104	50	55.6	3.1
	100	54.4	4.9
	200	52.7	8.4
60/96	50	69.0	3.8
	100	67.8	5.9
	200	66.1	10.2
60/120	50	86.3	4.7
	100	84.8	7.4
	200	82.7	12.7
70/112	50	110	5.8
	100	109	9.2
	200	107	16.0
70/140	50	138	7.2
	100	136	11.5
	200	134	20.0
80/132	50	169	8.3
	100	166	13.4
	200	161	23.7
80/160	50	204	10.1
	100	201	16.3
	200	196	28.7
90/152	50	247	21.1
	100	243	19.6
	200	237	34.5
90/180	50	292	14.3
	100	287	23.2
	200	281	40.8

Size	Pressure PSI	Flow GPM	Power BHP
100/172	50	346	16.9
	100	340	27.3
	200	333	48.2
100/200	50	402	19.6
	100	396	31.8
	200	388	56.0
112/190	50	480	23.4
	100	474	37.9
	200	465	66.8
112/224	50	566	27.6
	100	559	44.6
	200	548	78.7
125/210	50	663	32.2
	100	655	52.1
	200	643	91.9
125/250	50	789	38.3
	100	780	62.0
	200	766	109
140/225	50	893	43.3
	100	883	70.0
	200	869	124
160/190	50	988	47.7
	100	978	77.2
	200	964	136
160/210	50	1092	52.8
	100	1081	85.4
	200	1065	151
180/160	50	1055	50.9
	100	1045	82.3
	200	1032	145
180/175	50	1154	55.6
	100	1144	90.0
	200	1129	159
180/185	50	1220	58.8
	100	1209	95.2
	200	1193	168
180/205	50	1352	65.2
	100	1340	106
	200	1322	186
200/180	50	1468	70.7
	100	1455	114
	200	1438	202
200/190	50	1549	74.6
	100	1536	121
	200	1518	213
200/210	50	1712	82.4
	100	1698	133
	200	1678	235
225/200	50	2068	99.4
	100	2052	161
	200	2030	284
225/220	50	2275	109
	100	2257	177
	200	2233	312
250/190	50	2429	117
	100	2412	189
	200	2388	333
250/210	50	2685	129
	100	2666	208
	200	2639	368
275/190	50	2943	141
	100	2924	228
	200	2897	403



Leistriz

© 2008

Leistriz Corporation, 165 Chestnut Street, Allendale, NJ 07401
(201) 934-8262 • Fax: (201)934-8266 • www.leistrizcorp.com/pumps

Printed in U.S.A.
L3NG 408-2M